

Coastal Chariot

DP MPV

JULY 2 2024



MAIN SPECIFICATIONS

General

Type of vessel:	Special Service / Multi-Purpose Ship
Classification:	1✘ Hull ● Mach ✘ AUT-UMS ✘ Dynapos AM/AT
IMO:	9704946
Callsign:	PCWZ
MMSI:	244770069
Flag:	Dutch
Tonnage (UMS/GT):	417

Performances

Bollard pull ahead:	36.30 t
Bollard pull astern:	30 t

Tank Capacities

Fuel oil:	192 m ³
Fresh water:	71 m ³
Black/grey water:	33.70 m ³
Dirty oil:	3.30 m ³

Dimensions

Length O.A.:	36.85 m
Beam O.A.:	11.84 m
Draught aft:	2.12 m
Max deadweight:	224 t
Clear deck area:	185 m ²
Deck loading	5 t/m ²

JIFMAR GROUP

→ Contact: sales@jifmar.net



This document is for guidance and information only. Information provided is given under good faith and is non-contractual. This document may be updated without advanced notice. It may not be published, redistributed or reproduced without the prior written consent of ©Jifmar Group.



DETAILED SPECIFICATIONS

Propulsion System

Bow thruster:	Veth CJ Azimuth thruster 253 kW
Stern thruster:	Azimuth thruster 392 kW
Main engines:	2 x Caterpillar C32 970 kW Twin fixed propellers in nozzles
Power output:	2977 kW

Auxiliary Systems

Generator sets:	2 x Caterpillar C9 250 kVA 400 V/ 50Hz
Harbour set:	Caterpillar C4.4 45 kVA 400 V/ 50Hz

Accommodation

POB:	13
	1 single
Cabins:	4 double
	1 quadruple

Navigation & Communication

GMDSS:	A1, A2, A3
Satellite communication:	VSAT

Dynamic Positioning

DP system:	Navis NAVDP 4000
DP class:	DP1

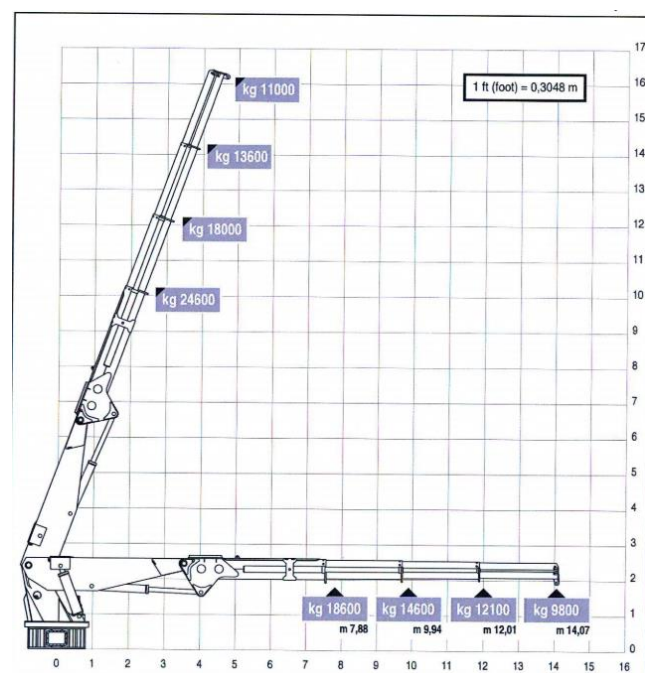
Deck Lay-out

Crane FWD:	Legendijk LKB 310-T3 Fixed hook SWL 10 t @20m Wire winch SWL 15 t
Crane AFT:	Heila HLRM 170 3SL Fixed hook SWL 9.80 t @14 m
Anchor handling winch:	AHT winch 80 t – 5.30 m/min 40 t – 11 m/min 18 t – 22.70 m/min
Tugger/Mooring winch:	12 t – 20 m/min
Bow Roller:	Yes
Capstan:	Prohand 18-2/H-Sp
Moonpool:	Yes
FIFI system:	No

CRANE DIAGRAMS

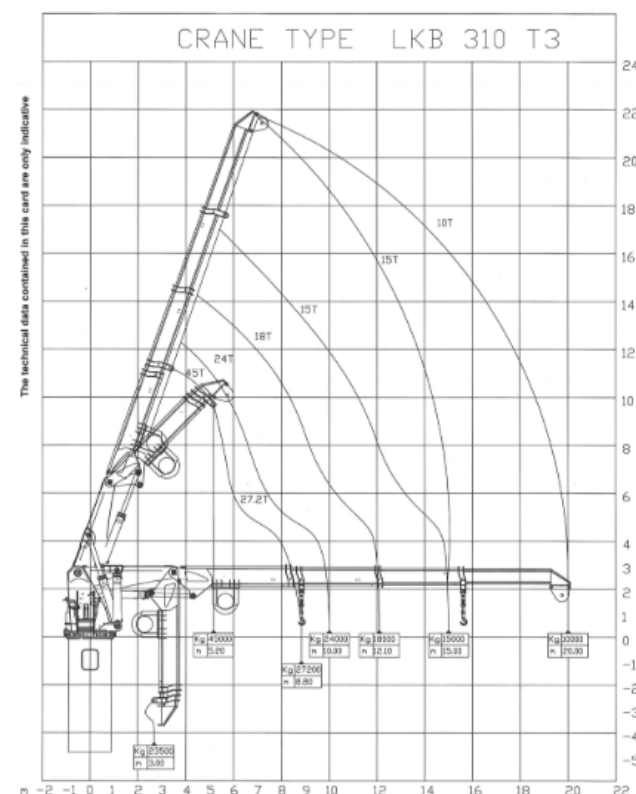
AFT hydraulic crane

Heila HLRM 170 3SL



FWD hydraulic crane

Legendijk LKB 310T3





GENERAL ARRANGEMENT

